

STANDARD SEMI-ELECTRIC STACKER SPN10/10C Series (C= Economic Version)

Cost-effective option for carrying out diverse stacking operations (loading capacity from 1000kg to 2000kg, optional lift height of 1600mm, 2500mm, 3000 mm and 3500mm) and the loading and unloading of utility vehicles.

- Study and reliable mast made of rolled U-profiles. Hard chrome plated piston. Adjustable lifting chain. Powerful lift motor 1.6 KW.
- Integrated 150 AH maintenance free battery supplies strong power to effect frequent lifting tasks, an integrated charger facilitates easy and reliable charging of the integrated battery
- Optional choice of fixed fork and adjustable fork



Precise lifting and lowering via hand lever. Battery cut-off switch prevents unauthorized use.

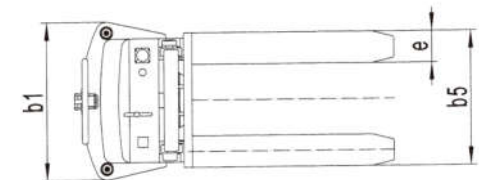
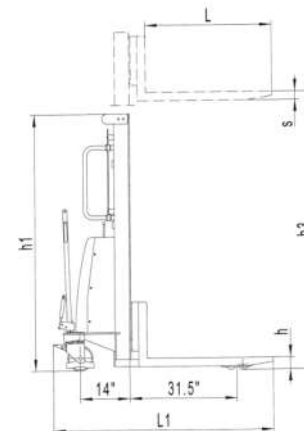


Additional protection for the operator through foot protection on the steering rollers. Safe parking in any situation with mechanical parking brake.



Standard Semi-electric Stacker SPN10/10C				1KG=2.2LB 1INCH=25.4MM				
			SPN1016	SPN1025	SPN1030	SPN1033	SPN1035 ²⁾	
Distinguishing mark	1.2	Manufacturer's type designation						
	1.3	Power (battery ,diesel, petrol, gas, manual)	manual					
	1.4	Operator type	Pedestrian					
	1.5	Load Capacity / rated load	1.0					
Weight	1.6	Load centre distance	600					
	1.8	Load distance, centre of drive axle to fork	750/(649) ¹⁾		742/(641)			
	1.9	Wheelbase	1175/(1140)					
	2.1	Service weight	305	364	380	391	402	
Tires, chassis	2.2	Axle loading, laden front/rear	416/889	439/925	445/935	449/942	453/949	
	2.3	Axle loading, unladen front/rear	206/99	255/109	265/115	272/119	279/123	
	3.1	Tires	nylon/polyurethane					
	3.2	Tire size, front	Φ 180×50					
	3.3	Tire size, rear	Φ 74×70					
	3.4	Additional wheels(dimensions)	Φ 180×50					
	3.5	Wheels, number front/rear(x=driven wheels)	2/4					
Dimensions	3.6	Track, front	680					
	3.7	Track, rear	390/(490)					
	4.2	Lowered mast height	1978	1828	2078	2228	2328	
	4.3	Free Lift height	/					
	4.4	Lift height	1600	2500	3000	3300	3500	
	4.5	Extended mast height	1978	3066	3566	3866	4066	
	4.9	Height of tiller in drive position min./ max.	770/1153					
	4.15	Height, lowered	82/(84)					
	4.19	Overall length	1780/(1850)	1788/(1858)				
	4.20	Length to face of forks	630/(700)	638/(708)				
	4.21	Overall width	777					
	4.22	Fork dimensions	s/e/l (mm) 60/160/1150/(60/150/1150)					
	4.25	Distance between fork-arms	b5 (mm) 550/(32-640)					
	4.32	Ground clearance, centre of wheelbase	m2 (mm) 28					
	4.33	Aisle width for pallets 1000X1200 crossways	Ast (mm) 2230					
4.34	Aisle width for pallets 800X1200 lengthways	Ast (mm) 2175						
4.35	Turning radius	Wa (mm) 1350						
Performance data	5.2	Lift speed, laden/ unladen	m/s 0.8/0.14					
	5.3	Lowering speed, laden/ unladen	m/s 0.11/0.096					
	5.10	Service brake	manual					
Electric-engine	6.2	Lift motor rating at S3 10%	kW 1.6					
	6.3	Battery acc. to DIN 43531/35/36 A, B, C, no	no					
	6.4	Battery voltage, nominal capacity K5	V/Ah 12V/150Ah ³⁾					
	6.5	Battery weight	kg 35					

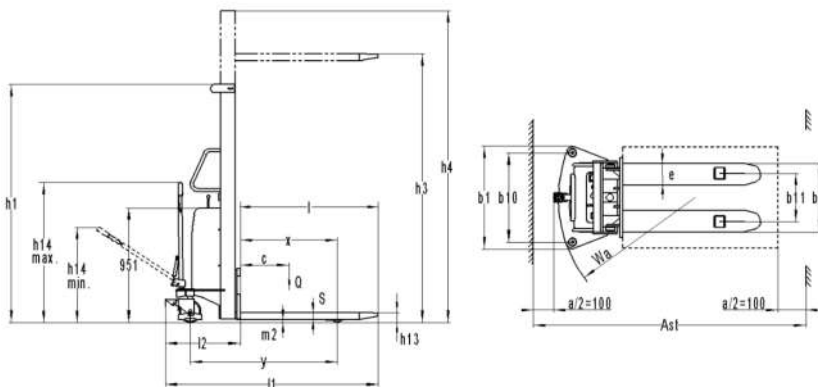
1).The data in () are for adjustable type SPN10 2).SPN1035,only fixed type available
3).Battery 12V/120Ah is optional



Standard Semi-electric Stacker SPN15/15C

1KG=2.2LB 1INCH=25.4MM

			SPN1516	SPN1525	SPN1530	SPN1535		
Distinguishing mark	1.2	Manufacturer's type designation						
	1.3	Power (battery ,diesel, petrol, gas, manual)	manua					
	1.4	Operator type	Pedestrian					
	1.5	Load Capacity / rated load	1.5					
	1.6	Load centre distance	600					
Weight	1.8	Load distance ,centre of drive axle to fork	808		802			
	1.9	Wheelbase	1225					
	2.1	Service weight	440	518	543	567		
Tires, chassis	2.2	Axle loading, laden front/rear	620/1320	674/1344	690/1353	707/1360		
	2.3	Axle loading, unladen front/rear	290/150	344/174	360/183	377/190		
	3.1	Tires	nylon/polyurethane					
	3.2	Tire size, front	Φ180x50					
	3.3	Tire size, rear	Φ74x93					
	3.4	Additional wheels(dimensions)	Φ180x50					
	3.5	Wheels, number front/rear(x=driven wheels)	2/2					
Dimensions	3.6	Track, front	740					
	3.7	Track, rear	400					
	4.2	Lowered mast height	h1 (mm)	1978	1778	2028	2278	
	4.3	Free Lift height	h2 (mm)	/				
	4.4	Lift height	h3 (mm)	1600	2500	3000	3500	
	4.5	Extended mast height	h4 (mm)	1978	2991	3491	3991	
	4.9	Height of tiller in drive position min. / max.	h14 (mm)	770/1153				
	4.15	Height, lowered	h13 (mm)	83				
	4.19	Overall length	l1 (mm)	1778				
	4.20	Length to face of forks	l2 (mm)	628	636			
	4.21	Overall width	b1 (mm)	844				
	4.22	Fork dimensions	s/e/l (mm)	60/180/1150				
	4.25	Distance between fork-arms	b5 (mm)	570				
	4.32	Ground clearance, centre of wheelbase	m2 (mm)	28				
	4.33	Aisle width for pallets 1000X1200 crossways	Ast (mm)	2230				
4.34	Aisle width for pallets 800X1200 lengthways	Ast (mm)	2175					
4.35	Turning radius	Wa (mm)	1400					
Performance data	5.2	Lift speed, laden/ unladen	m/s					
	5.3	Lowering speed, laden/ unladen	0.07/0.15					
	5.10	Service brake	0.14/0.11 manua					
Electric-engine	6.2	Lift motor rating at S3 10%	kW					
	6.3	Battery acc. to DIN 43531/35/36 A, B, C, no	1.6					
	6.4	Battery voltage, nominal capacity K5	V/Ah					
	6.5	Battery weight	kg					



STANDARD SEMI-ELECTRIC STACKER SPN15/15C Series (C=Economic Version)

INTRODUCTION

The SPN15 series semi-electric stacker is the cost-effective choice for short-distance transportation and stacking applications, with 1500kg capacity and lifting height from 1600mm up to 3500mm. With its compact and smart design, it is easy to maneuver and ideal to be used in confined spaces esp. narrow aisles.

Sturdy and reliable high quality channel-steel mast and solid base, with integrated steel electric box cover, makes the stacker the most robust to avoid any damages to increase the service life. Easy approach to all internal parts by unscrewing 4 screws at the cover for easy maintenance



Precise lifting and lowering via hand lever. Battery cut-off switch prevents unauthorized use.



Additional protection for the operator through foot protection on the steering rollers. Safe parking in any situation with mechanical parking brake.



Manual & Semi-Electric Stacker