



NOBLELIFT

We promise, We deliver

Noblelift Headquarters

Add:#528 Changzhou Road,Taihu
Sub-district,Changxing,313100,China
TEL:+86 572 6210311/6120989
FAX:+86 572 6129336
WEB:www.noblelift.com
Email: info@noblelift.com



Official website Our Wechat

Noblelift North America Corp.

Add:2461 S Wolf Road, Des Plaines, IL 60018
Tel:847-595-7100
Fax:847-595-7200
Email:sales@nobleliftna.com
Http: www.nobleliftna.com

Noblelift Europe GmbH

Add:Borsigstrasse 9d-93092 Barbing
Germany
TEL:+49 9401 607930
FAX:+49 9401 6079329
WEB:www.noblelifteuropr.com
Email: mail@noblelifteurope.com

Noblelift Russia

ООО "Ноблелифт Рус"
194292, Санкт-Петербург
Домостроительная ул. 4А офис 301
Бизнес-центр "Парнас"
тел.: +7 (800) 700-28-97
Email: sales@noblelift.com.ru

NOBLELIFT
Material Handling

HPT20S

WEIGHING SCALE PALLET TRUCK



**PALLET TRUCK WITH
WEIGHT INDICATUON**

NEW *Noblelift Products*
ARRIVAL

NOBLELIFT INTELLIGENT EQUIPMENT CO., LTD

www.noblelift.com

HPT20S



Product Feature

- High Definition Display:** High definition of the LCD display. Display can be read from any angle and with backlight, it can be used in dark environment.
- Totalising function:** Each batch of product can be weighed multiple times, and finally accumulated to a total weight for avoiding overload.
- Unit Switching:** The unit of weight can be freely switched between lb and kg to meet different needs of customers.
- Multiple function keys:** There are many function keys (including tare and gross weight), which can meet various weighing needs of customers.
- Big function keys that “click”:** When pressing the function keys, the operator senses a “click” movement. Even when working with gloves, the operator feels whether he has pressed the key properly.



Maximum error 0.05% of four sensors with ultra-high consistency. Even if a load is placed out of centre or the floor conditions that are not optimal, the accuracy remains high.

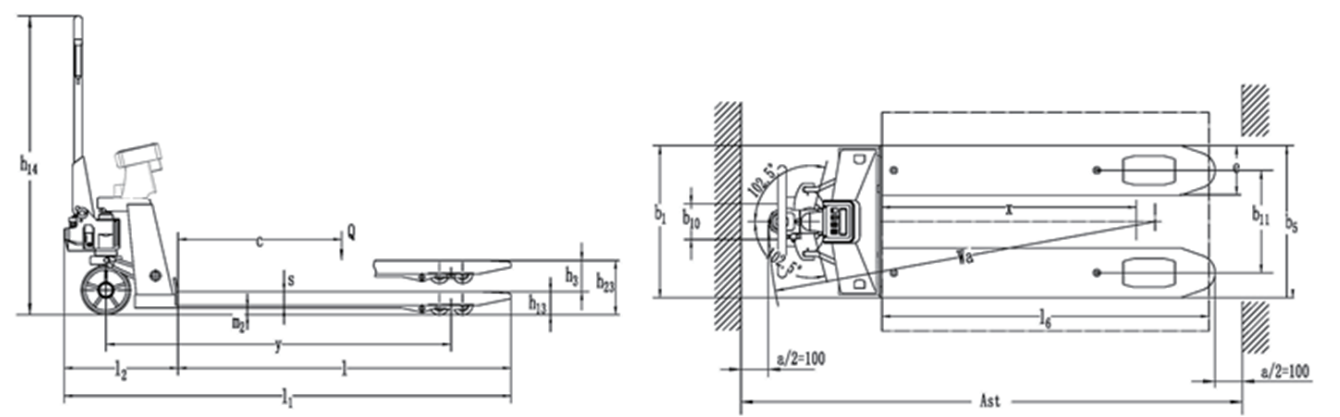
High Accuracy: ◀

Support external printer, you can convert the numerical data to paper label freely. Equipped with low voltage protection, even if the vehicle shakes, it will not affect the use of the printer.

Optional Printer: ▶

Build-in Rechargeable Battery: ▶

Built-in 4000mAH super-capacity rechargeable battery with the advantages of durability and convenient charging, without disassembly. It lasts 3 months on a single battery charge. and the operating current is only 1ma (on the premise that backlight and printer connection are turned off).



Technical Data in line with VDI 2198				
Identification				
1.2	Manufacturer's type designation		HPT20S	
1.4	Type of operation (hand, pedestrian, standing, seated, order picker)		Manual	
1.5	Load capacity / rated load	Q (kg)	2000	
1.6	Load centre distance	c (mm)	600	620
1.8	Load distance ,centre of drive axle to fork	x (mm)	863	933
1.9	Wheelbase	y (mm)	1195	1265
Weight				
2.1	Service weight	kg	94	97
2.2	Axle loading, laden front/rear	kg	616 / 1478	665 / 1432
2.3	Axle loading, unladen front/rear	kg	62 / 32	64 / 33
Wheels Chassis				
3.1	Tyres: solid rubber, superelastic, pneumatic, polyurethane		PU / Rubber / Nylon	
3.2	Tire size, front	Øxw (mm)	Ø 180x50	
3.3	Tire size, rear	Øxw (mm)	Ø 74x70/74x93	
3.5	Wheels, number front/rear (x=driven wheels)		2/2 or 2/4	
3.6	Track width, front	b10 (mm)	130	
3.7	Track width, rear	b11 (mm)	375 (510)	
Basic Dimensions				
4.4	Lift height	h3 (mm)	115	
4.9	Height of tiller in drive position min./ max.	h14 (mm)	1207	
4.14	Standing height, elevated	h23 (mm)	200	
4.15	Height, lowered	h13 (mm)	85	
4.19	Overall length	l1 (mm)	1569	1693
4.20	Length to face of forks	l2 (mm)	417	
4.21	Overall width	b1 (mm)	557 / 692	
4.22	Fork dimensions	s/e/l (mm)	50 / 182 / 1150	50 / 182 / 1220
4.25	Width over forks	b5 (mm)	557 / 692	
4.32	Ground clearance, centre of wheelbase	m2 (mm)	26	
4.33	Aisle width for pallets 1000x1200 crossways	Ast (mm)	1833	1903
4.34	Aisle width for pallets 800x1200 lengthways	Ast (mm)	1833	1903
4.35	Turning radius	Wa (mm)	1346	1416
Performance Data				
5.3	Lowering speed laden/unladen	m/s	0.01 / 0.06	
Display				
6.4	Battery voltage, nominal capacity K5	V / Ah	6V/4.5Ah	

