

FE4P40-50N

Four wheel Electric Forklift

 **Ready for Lithium power**

ADVANTAGES

- As the most powerful forklift with loading capacity of 5 tons in N series, 50N adopts automobile operation mode, which gives the driver a comfortable space and enables effortless operation.
- Imported multi-function integrated LCD display, forklift status and fault information clear at a glance; LED lights and standard warning light allows you to operate freely at night.
- Maintenance-free and powerful AC motor gets rid of the trouble of carbon brush replacement comparing to traditional DC motor.
- Speed sensor and temperature sensor with full protection ensure great reliability and life time.
- Intelligent battery charger with powerful functions of self-diagnosis, automatic cut-off, fault alarm, initial charging and balanced charging.



Standard reversing radar, internal and external roof protection.

Rear view mirror.

USB interface (optional)

Standard teacup seat, safety rails, stationery clip.



Transmission system: horizontal fan-shaped drive axle mounted in parallel, large transmission ratio. The battery is located at the bottom of the chassis which ensures great stability of the forklift. Hydraulic system: low noise gear pump with fully hydraulic power steering. Low noise and comfortable operation.



Fully openable cover design makes the maintenance of battery, motor, hydraulic piping, electronic controller and other parts extremely convenient and efficient.

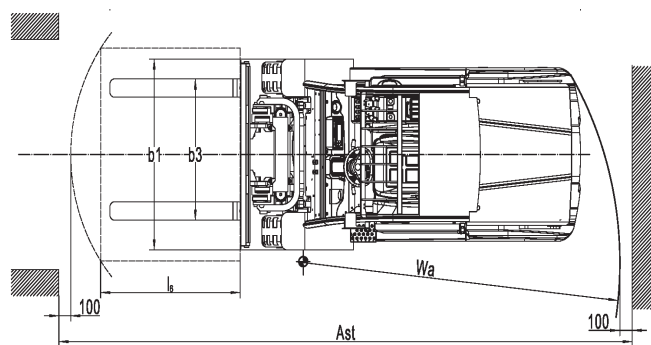
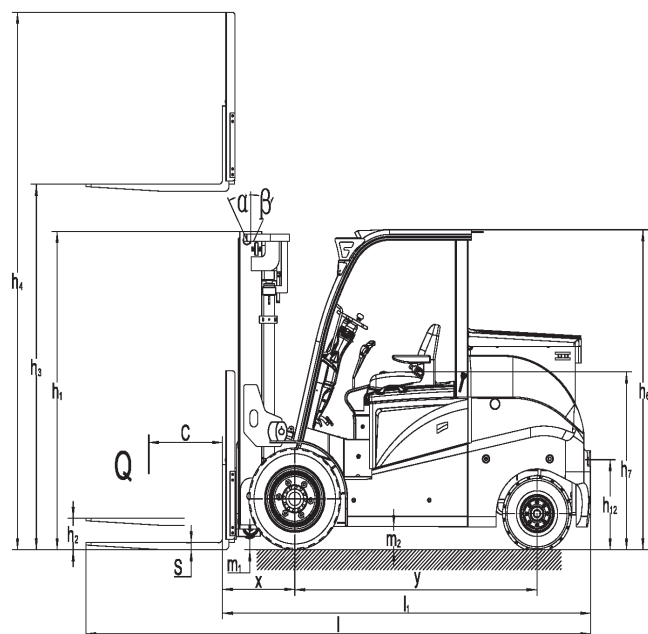


Side-opening inspection window gives you clear sight of electrical parts.



Standard angle sensor enables real time observation of steering wheel angle, along with speed reduction automatic deceleration while turning.

Electric Forklift



Mast Table FE4P40-50N								
Designation	Lift height	Free Lift	Closed mast height	Extended mast height	Tilt forward/backward	Capacity table(kg) C=500mm without sideshift, single solid tyres		
	h3 (mm)	h2 (mm)	h1 (mm)	h4 (mm)	$\alpha / \beta (^{\circ})$	FE4P40N	FE4P45N	FE4P50N
Two-stage ZT	2500	150	2010	3617	6/10	4000	4500	5000
	2700	150	2110	3817	6/10	4000	4500	5000
	3000	150	2260	4117	6/10	4000	4500	5000
	3300	150	2410	4417	6/10	4000	4500	5000
	3500	150	2510	4617	6/10	4000	4500	5000
	3600	150	2560	4717	6/10	4000	4500	5000
	3700	150	2610	4817	6/10	4000	4500	5000
	4000	150	2810	5117	6/6	3800	4300	4800
	4500	150	3060	5617	6/6	3300	3800	4250
	4700	150	3160	5817	6/6	3000	3500	3900
5000	150	3310	6117	6/6	2800	3200	3600	
6000	150	3860	7117	3/6	1700	2000	2300	
Two-stage ZZ	2500	1350	2010	3617	6/10	4000	4500	5000
	2700	1450	2110	3617	6/10	4000	4500	5000
	3000	1600	2260	3617	6/10	4000	4500	5000
	3300	1750	2410	3617	6/10	4000	4500	5000
	3500	1850	2510	3617	6/10	4000	4500	5000
	3600	1900	2560	3617	6/10	4000	4500	5000
	3700	1950	2610	3617	6/10	3800	4300	4800
	4000	2100	2810	3617	6/6	1700	2000	2300
Three-stage DZ	3700	917	1995	4808	6/10	4000	4500	5000
	4000	1017	2095	5108	6/6	3800	4300	4750
	4350	1132	2210	5458	6/6	3400	3900	4500
	4500	1182	2260	5608	6/6	3300	3800	4250
	4800	1282	2360	5908	6/6	3000	3400	3800
	5000	1397	2475	6108	6/6	2800	3200	3600
	5500	1562	2640	6608	3/6	2200	2550	2900
	6000	1807	2885	7068	3/6	1700	2000	2300

Type sheet for industrial truck acc. to VDI 2198

1KG=2.2LB 1INCH=25.4MM

Identification		FE4P40N	FE4P40N-D	FE4P45N	FE4P45N-D	FE4P50N	FE4P50N-D
1.2	Manufacturer's type designation	FE4P40N	FE4P40N-D	FE4P45N	FE4P45N-D	FE4P50N	FE4P50N-D
1.3	Drive:electric(battery or mains),diesel,petrol gas,manual)	electric	electric	electric	electric	electric	electric
1.4	Type of operation(hand,pedestrian,standing,seated,order-picker)	seated	seated	seated	seated	seated	seated
1.5	Load capacity/rated load	Q(kg)	4000	4000	4500	4500	5000
1.6	Load centre distance	c(mm)	500	500	500	500	500
1.8	Load distance,centre of drive axle to fork	x(mm)	563	563	563	563	563
1.9	wheelbase	y(mm)	1900	1900	1900	1900	1900
Weights							
2.1	Service weight incl. battery	kg	6680	6580	6950	6850	7290
2.2	Axle loading ,laden front/rear	kg	9420/1260	9370/1210	10210/1240	10170/1180	11060/1230
2.3	Axle loading,unladen front/rear	kg	3080/3600	3030/3550	3140/3810	3090/3760	3240/4050
Wheels- Chassis							
3.1	Type:solid rubber,superelastic,pneumatic,polyurethane		Superelastic	Superelastic	Superelastic	Superelastic	Superelastic
3.2	Tyres size,front		250-15	250-15	250-15	250-15	250-15
3.3	Tyres size,rear		21x8-9	21x8-9	21x8-9	21x8-9	21x8-9
3.5	Wheels,number front/rear(x=driven wheels)		2x2	2x2	2x2	2x2	2x2
3.6	Track width,front	b10(mm)	1200	1200	1200	1200	1200
3.7	Track width,rear	b11(mm)	1040	1040	1040	1040	1040
Basic Dimensions							
4.1	Mast/fork carriage tilt forward/backward	$\alpha/\beta(^{\circ})$	6/10	6/10	6/10	6/10	6/10
4.2	lowered mast height	h1(mm)	2260	2260	2260	2260	2260
4.3	Free lift	h2(mm)	150	150	150	150	150
4.4	Lift height	h3(mm)	3000	3000	3000	3000	3000
4.5	Extended mast height	h4(mm)	4117	4117	4117	4117	4117
4.7	Overhead load guardheight	h6(mm)	2265	2265	2265	2265	2265
4.8	Seat height/standing height	h7(mm)	1200	1200	1200	1200	1200
4.12	Coupling height	h10(mm)	490	490	490	490	490
4.19	Overall length	l1(mm)	3962	3962	3962	3962	3962
4.20	Length to face of forks	l2(mm)	2892	2892	2892	2892	2892
4.21	Overall width	b1(mm)	1450	1450	1450	1450	1450
4.22	Fork dimensions	s/e/l(mm)	50/150/1070	50/150/1070	50/150/1070	50/150/1070	50/150/1070
4.24	Fork carriage width	b3(mm)	1380	1380	1380	1380	1380
4.31	Ground clearance ,laden,under mast	m1(mm)	135	135	135	135	135
4.32	Ground clearance,centre of wheelbase	m2(mm)	165	165	165	165	165
4.33	Aisle width for pallets 1000x1200 crossways	Ast(mm)	4413	4413	4413	4413	4413
4.34	Aisle width for pallets 800x1200 lengthways	Ast(mm)	4613	4613	4613	4613	4613
4.35	Turning radius	Wa(mm)	2650	2650	2650	2650	2650
Performance Data							
5.1	Travel speed,laden/unladen	km/h	14/15	15/16	13/14	14/15	13/14
5.2	Lift speed,laden/unladen	m/s	0.27/0.36	0.27/0.36	0.26/ 0.36	0.26/ 0.36	0.25/ 0.36
5.3	lowering speed,laden/unladen	m/s	0.32/0.26	0.32/0.26	0.33/0.26	0.33/0.26	0.35/0.26
5.5	Drawbar pull,laden/unladen S2 60 min	N	5800/6200	6000/6500	6000/6500	6300/6800	6200/6650
5.6	Max.drawbar pull ,laden/unladen S2 5 min	N	17500/17000	18500/18000	17800/17500	18800/18500	18500/18000
5.7	Max.Gradient performance,laden/unladen S2 5 min	%	16/20	16/20	15/20	15/20	15/20
5.10	Service brake		hydraulic	hydraulic	hydraulic	hydraulic	hydraulic
E-Motor							
6.1	Drive motor rating S2 60 min	kW	16.6	11x2	16.6	11x2	16.6
6.2	Lift motor rating at S3 15%	kW	13.5x2	13.5x2	13.5x2	13.5x2	13.5x2
6.3	Battery standard		DIN	DIN	DIN	DIN	DIN
6.4	Battery voltage,nominal capacity K5	V/Ah	80/630	80/630	80/630	80/630	80/650(700/750)
6.4	Battery weight	kg	1740	1740	1740	1740	1840(1940/2100)</