

## STANDARD PALLET TRUCK

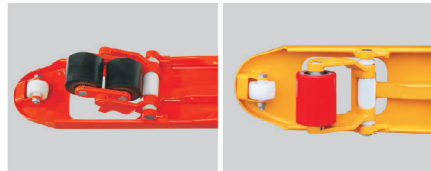
- Professional and ideal storage aid for all variety of manual transport tasks over short distances in stores and warehouse as well as factory plants.
- Compact and attractive design with maximum loading capacity of 2000–3000kg
- Germany standard WAGNER painting system ensures best powder coating and painting quality.
- All pivots points are greased ensures excellent maneuverability with effortless steering. The chromed bearing bushes and joints ensure quiet running properties and particularly long service life.

### Hand Pallet Truck

1KG=2.2LB 1INCH=25.4MM

Item/Type		DF20		DF25		DF30	
Capacity Q	kg	2000		2500		3000	
Min. fork height h	mm	85	75	85	75	85	75
Max. fork height h <sub>1</sub>	mm	200	190	200	190	200	190
Steering wheel	mm	Ø 200x50	Ø 180x50	Ø 200x50	Ø 180x50	Ø 200x50	Ø 180x50
Load roller Single	mm	Ø 80x93	Ø 74x93	Ø 80x93	Ø 74x93	Ø 80x93	Ø 74x93
Load roller Tandem	mm	Ø 80x70	Ø 74x70	Ø 80x70	Ø 74x70	Ø 80x70	Ø 74x70
Size of fork e*s	mm	160x60					
Width overall forks B	mm	450/520/550/685					
Fork length l	mm	800/900/1000/1100/1150/1220					

Conforms to EN 1757-2



Option of single and tandem fork rollers  
Additional entry and exit fork rollers guarantees for maximum stability and safety for transporting goods on slopes.



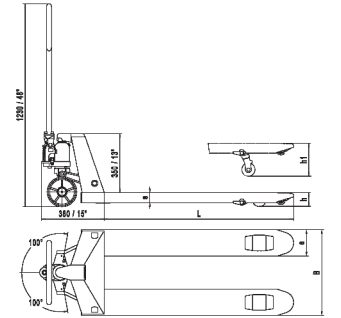
## LIGHT DUTY PALLET TRUCK

- Compact hydraulic pump design, robust and durable, with fine control of lowering speed and overload valve, low routine maintenance.
- Ergonomic handle shape, robust and durable

### Light-duty hand pallet truck, only for special markets

Item/Type		DF168
Capacity Q	kg	1680
Min. fork height h	mm	75
Max. fork height h <sub>1</sub>	mm	190
Steering wheel	mm	Ø180x50
Load roller Single	mm	Ø73x80
Load roller Tandem	mm	Ø73x55
Size of fork e*s	mm	150x50
Width overall forks B	mm	520/550
Fork length l	mm	1150
N.W.	kg	50-55.5

1KG=2.2LB 1INCH=25.4MM



Mini-hand-pallet-truck  
Economic, handy & reliable

## ECONOMIC PALLET TRUCK

### Economic but reliable

1KG=2.2LB 1INCH=25.4MM

Item/Type		DFE20
Capacity Q	kg	2000
Min. fork height h	mm	75
Max. fork height h <sub>1</sub>	mm	190
Steering wheel	mm	Ø180x50
Load roller Single	mm	Ø73x80
Load roller Tandem	mm	Ø73x55
Size of fork e*s	mm	150x50
Width overall forks B	mm	520/550/685
Fork length l	mm	1150/1220
N.W.	kg	50-60

- Economic but reliable
- Professional and easy to operate
- Diverse options for rollers, wheels and fork dimensions as well as colors and etc

