

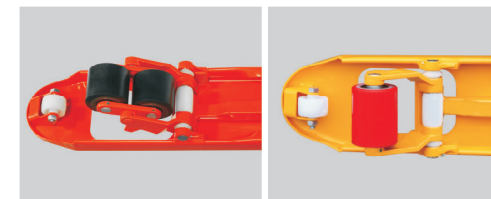


## TOP QUALITY PALLET TRUCK

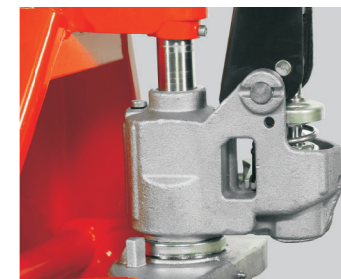
- Top class range of pallet trucks with excellent designs
- Professional and ideal storage aid for all variety of manual transport tasks over short distances in stores and warehouse as well as factory plants.
- Reliable, sturdy, torsion-resistant due to its extremely strong high quality steel profile Germany standard WAGNER painting system ensures best powder coating and painting quality.
- All pivots points are greased ensures excellent maneuverability with effortless steering The chromed bearing bushes and joints ensure quiet running properties and particularly long service life.

Hand pallet truck		1KG=2.2LB 1INCH=25.4MM					
Item/Type		AC20		AC25		AC30	
Capacity Q	kg	2000		2500		3000	
Min. fork height h	mm	85	75	85	75	85	75
Max. fork height h <sub>1</sub>	mm	200	190	200	190	200	190
Steering wheel	mm	Ø200x50	Ø180x50	Ø200x50	Ø180x50	Ø200x50	Ø180x50
Load roller Single	mm	Ø80x93	Ø74x93	Ø80x93	Ø74x93	Ø80x93	Ø74x93
Load roller Tandem	mm	Ø80x70	Ø74x70	Ø80x70	Ø74x70	Ø80x70	Ø74x70
Size of fork e*s	mm	160x50				160x60	
Width overall forks B	mm	450/520/540/685					
Fork length l	mm	800/900/1000/1100/1150/1220					

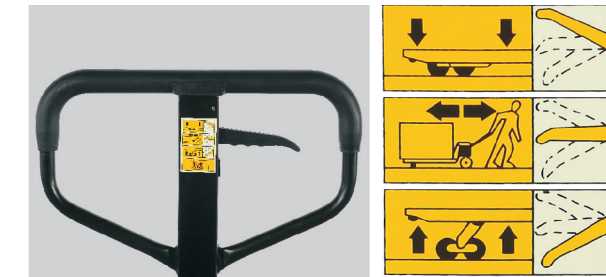
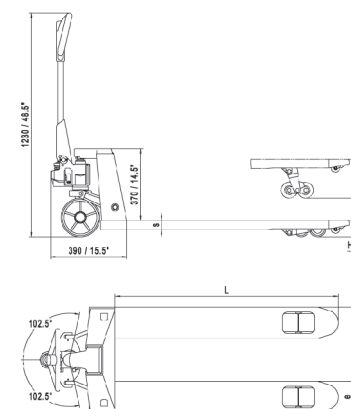
Conforms to EN 1757-2



- Option of single and tandem fork rollers
- Additional entry and exit fork rollers guarantees for maximum stability and safety for transporting goods on slopes.



- Excellent galvanized whole casting hydraulic pump, robust and durable, with fine control of lowering speed and overload valve, low routine maintenance.



- Ergonomically designed handle with comfortable rubber grip allows the optimized safety as well as comfortable. Three position operational handle lever for lifting, transporting and lowering purposes
- Lower Position—to lower load, pull up on the finger tip control
- Neutral Position—to place finger tip control in this position during pulling the truck or load
- Lift Position—to raise load, push down on finger tip control, pump handle to raise the load



Hand Pallet Truck

Tandem fork rollers  
----Ideal for heavy loads and uneven floors.



- Option of different coating material for both steering wheel and fork rollers
- Polyurethane----Ideal for delicate floors with hard wearing and non-marking property, quiet and durable
- Nylon----low drag efforts, high resistance to chemicals, non-marking, preferred in food, fishing and chemical industries with smooth level floors.
- Rubber----Best choice for quiet and durable demands, ideal for smooth and rough floors.